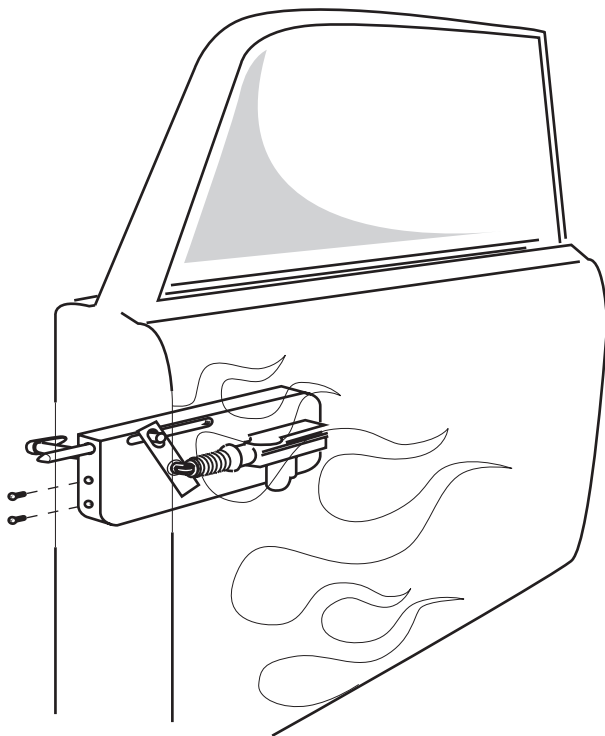


USER GUIDE AND INSTALLATION MANUAL

SUICIDE DOOR SAFETY LOCK System

- DL1000** - manual operation
- DL2500** - automatic operation
- DL2550** - deluxe automatic operation



Installation

- 1** Mount the suicide door safety unit on the door with the supplied hardware as shown in diagram to the left. You may need to drill mounting holes on your door. You will also need to drill holes for the sliding locking pin in your door and door jamb.
- 2** Wire up the actuator. Please refer to wiring diagram. See back side.
- 3** Repeat the above steps for the other door to complete installation.
- 4** See optional accessories listed below for ways to enhance your suicide door safety lock system.

Optional Accessories

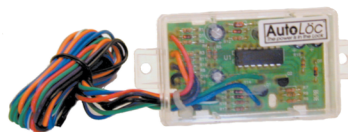
Switch



Use this high quality illuminated switch to operate your suicide door safety system.

Part Number: SW1

Ignition Control Module



Add ignition controlled locking to your suicide safety locks. The IS1000 will unlock your doors when the ignition is switched to the "OFF" position and automatically lock the doors when the ignition is in the "ON" position.

Part Number: IS1000

Remote Kit



Several to choose from.

Please call for details.

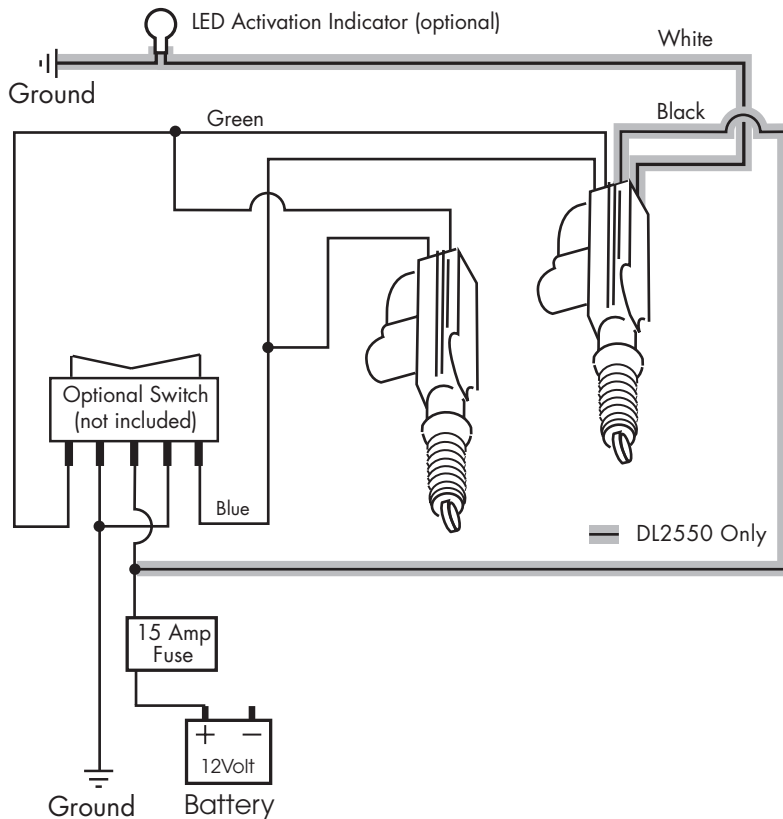
Activation Indicator



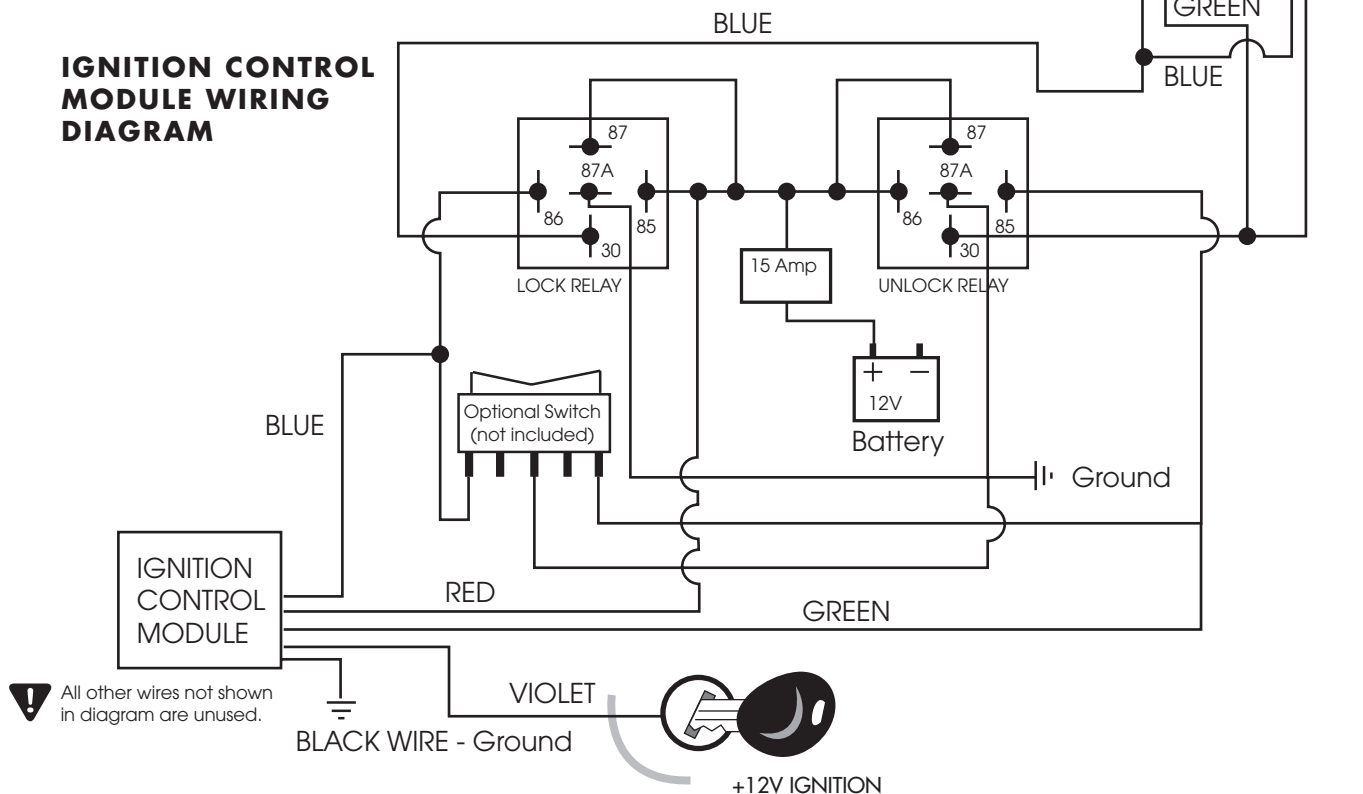
Add a bright activation indicator to your suicide door safety lock system. Bright LED lets you know whether your system is activated. Easy hook up. Great functionality.

Part Number: DLIN

WIRING DIAGRAM



IGNITION CONTROL MODULE WIRING DIAGRAM



! All other wires not shown in diagram are unused.

BLACK WIRE - Ground

+12V IGNITION