



Part No. ALL11300  
ALL11302

## Race Car Air Jacks

Raise your car in seconds! The Allstar Air Jack system connects to your race car with included weld-on mounting rings or with ALL11305 bolt-on mount kit (sold separately) for simplified installation. Works with a nitrogen tank, requires a hi-pressure regulator and a minimum 400 PSI hose. System will support vehicles up to 3000 lbs.

Part No.	Description
ALL11300.....	Complete Kit (15.25" Stroke)
ALL11302.....	Complete Kit (11.75" Stroke)

### Kit Includes:

- 4 Lift Cylinders
- 4 Safety Props
- Weld-On Mounting Rings
- Air Coupling and Receiver
- Plumbing Kit



### Related Items:

- ALL11315..... Air Jack Cylinder 11.75" Stroke
- ALL11316..... Air Jack Cylinder 15.25" Stroke
- ALL11317..... Safety Prop For 11.75" Cylinder
- ALL11318..... Safety Prop For 15.25" Cylinder
- ALL11305..... Aluminum Bolt-On Mount Kit (8 Split Mounts)
- ALL11319..... Mounting Ring Kit
- ALL11310..... Pressure Regulator
- ALL11312..... Premium Hose Kit

(35 ft. of 500 PSI hose and fittings to connect ALL11300 Air Jack system to ALL11310 regulator.)

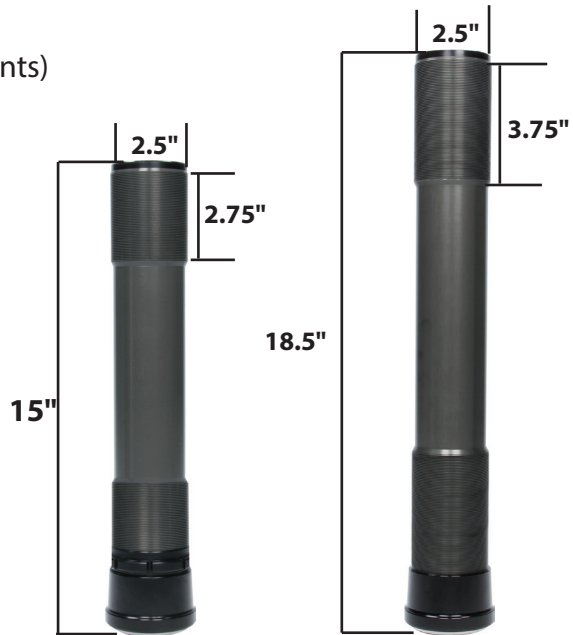
ALL11320..... Complete Plumbing Kit



ALL11312



ALL11310



ALL11315

ALL11316

**Allstar Performance 8300 Lane Dr., Watervliet, MI 49098**  
**Phone: (269) 463-8000 Fax: (800) 772-2618 www.allstarperformance.com**